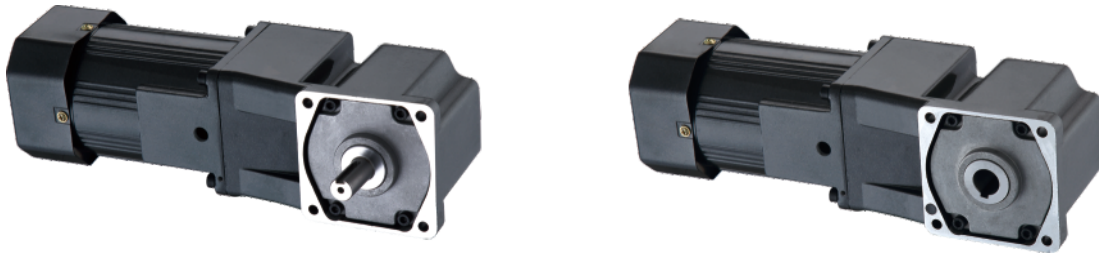




Right Angle AC Gear Motor 25W

25W 80X80MM



电机技术参数 Motor Technical Parameters

	电机型号 Motor model	功率 Power (W)	电压 Voltage (V)	频率 Frequency (Hz)	电流 Current (A)	启动转矩 Starting torque (mN.m)	额定转矩 Rated Torque (mN.m)	额定转速 Rated Speed (r/min)	额定时间 Rated Time (min)	电容 Capacitor (μF/VAC)
感应电机 Induction motor	4IK25(R)GN-A	25	1PH110 (单相)	50	0.48	150	190	1250	连续 Continuous	6/250
				60	0.44	125	160	1500		
调速电机 Variable speed motor	4IK25(R)GN-C		1PH220 (单相)	50	0.22	150	190	1250		2.0/450
				60	0.20	125	160	1500		
刹车电机 brake motor	4IK25GN-S		3PH220 (三相)	50	0.18	425	190	1250		
				60	0.16	380	160	1500		
			3PH380 (三相)	50	0.14	425	190	1250		
				60	0.12	380	160	1500		

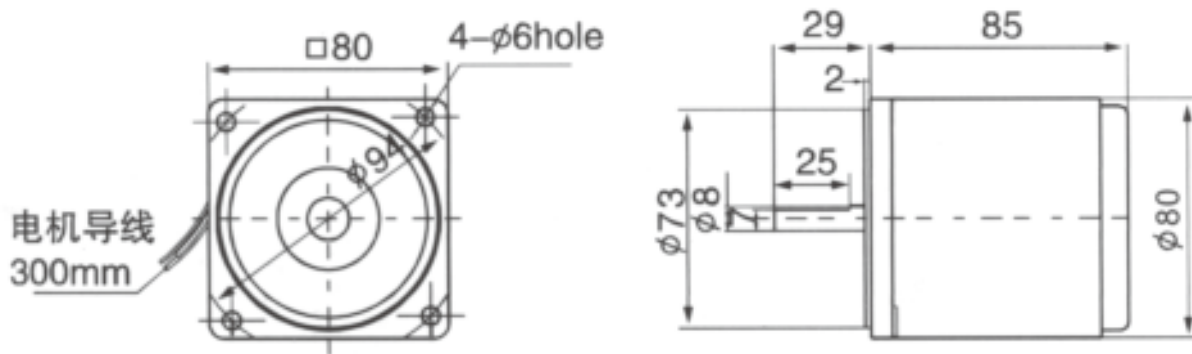
- 上表参数是指电机单体，不附加任何负荷装置。
- 电机额定转速、额定电流允许在 ± 5% 范围内变动。
- Parameters in above table refer to motor alone, without any load device.
- Permissible change in rated speed and rated current of the motor is within the range of ± 5%

减速电机容许转矩 Reduction Motor Max Allowable Torque

减速比 Reduction ratio		3	3.6	5	6	7.5	9	10	12.5	15	18	20	25	30	36	40	50	60	75	90	100	120	150	180	200	250	300					
50Hz	转速 r/min	500	416	300	250	200	166	150	120	100	83	75	60	50	41	37	30	25	20	16	15	12.5	10	8.3	7.5	6	5					
	转矩 N.m	0.50	0.60	0.83	1.00	1.20	1.37	1.67	2.10	2.50	3.00	3.33	3.70	4.50	5.40	5.91	6.80	8														
	转矩 kgf.cm	5.0	6.0	8.3	10	12	13.7	16.7	21	25	30	33.3	37	45	54	59.1	68	80														
60Hz	转速 r/min	600	500	360	300	240	200	180	144	120	100	90	72	60	50	45	36	30	24	20	18	15	12	10	9	7.2	6					
	转矩 N.m	0.41	0.50	0.69	0.83	1.00	1.12	1.33	1.70	2.10	2.52	2.8	3.10	3.70	4.50	4.92	5.60	7.03	8													
	转矩 kgf.cm	4.1	5.0	6.9	8.3	10	11.2	13.3	17	21	25.2	28	31	37	45	49.2	56	70.3	80													

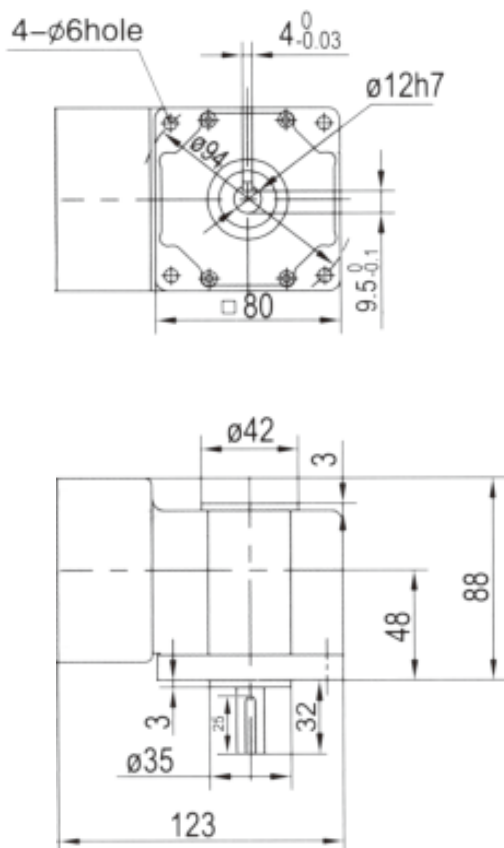
- 转速是以电动机的同步转速为基准除以减速比而算出的数值。实际转速将随负载大小变化而比所示数值减少2~20%左右。
- 希望以大于上表的减速比进一步减速时，可在电动机与减速机之间安装减速比为10的中间减速机。
- The speed is based on the synchronous motor speed reduction ratio as a benchmark calculated by dividing the value of. Actual speed will vary the size of the load changes in less than the values shown in 2~20% .
- Hope to the table of the reduction ratio is greater than the further reduction, it would be installed between the motor and the reducer reduction ratio of 10 the middle of the reducer

■ 电机 Motor



■ 减速箱 Gearbox

■ RA 直角中实减速器 Orthogonal right output shaft



■ RH 直角中空减速器 Orthogonal hollow output shaft

