



Micro Blower

LS-13075 Micro Blower

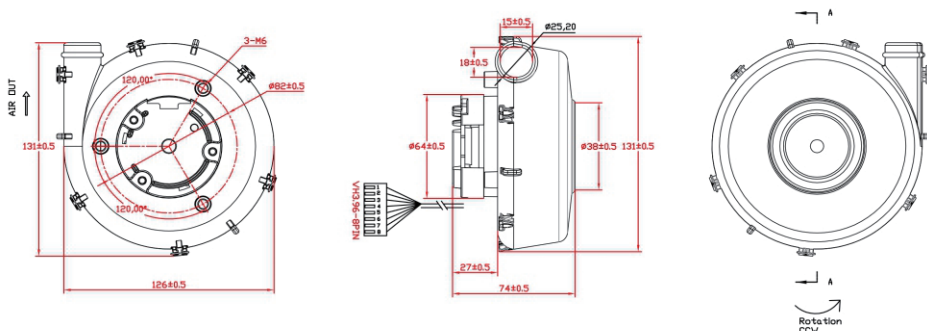
AL impeller and PC Plastic casing (UL and ISO10993)
All air-contacting parts are respiratory-physiologically harmless

Power supply :>24V-7A,
>12V-7A



Dimensions 130*126*75mm

- | No. | Wires | Code |
|-----|----------|------|
| 1 | 白 white | U |
| 2 | 蓝 Blue | V |
| 3 | 黄 Yellow | W |
| 4 | 黑 Black | GND |
| 5 | 灰 Gray | Ha |
| 6 | 绿 Green | Hb |
| 7 | 橙 Orange | Hc |
| 8 | 红 Red | +5V |



Micro Blower Main Parameters

Model+Normal Voltage	Flow	Pressure	Current	speed	Voltage range	Power	Resistance	Inductance	Rotor inertia
	l/min	kpa	A	rpm	V	P	mΩ	uH	gcm ²
LS13075-12V	650	4	7	13100	7.8 - 14.8	84	210	89-95	25.72
LS13075-24V	800	6.5	6.3	16000	7.8 - 30	150	440	180-182	25.72

Model+Normal Voltage	Noise	MTBF	Using Temp	Weight	Hall Angle	Pole pair	Connection	IP Class	Controller version
	dB	Hour	°C	g					
LS13075-12V	48	25000	-20 TO 90	340	120	4P=2	Y	IP54	LS7652-12V-250W
LS13075-24V									LS7652-24V-250W

Flow & Pressure Curves

