



AC Permanent Magnet Synchronous Motor

59TYD-5A

Features:

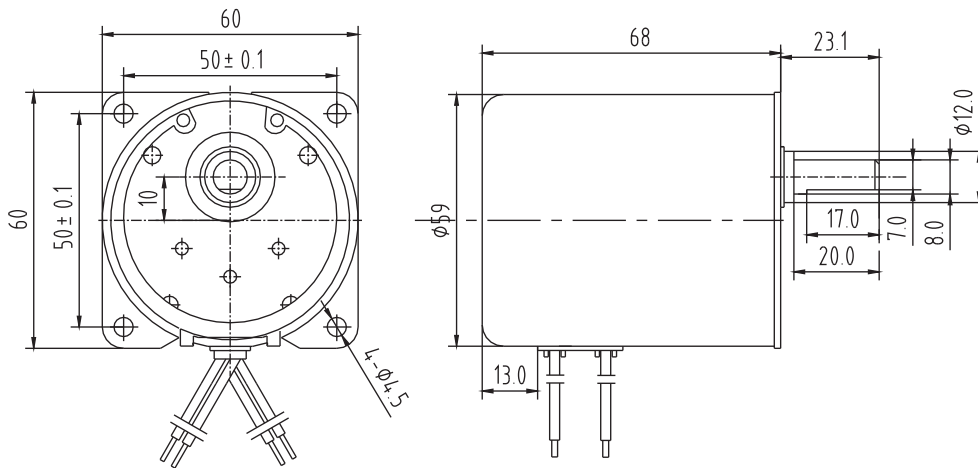
- Gear box inside designed
- High torque and efficiency with low noise, light weight
- Speed state invariable not effected by voltage under rated frequency
- Winding will not ruin when motor over loading or abrupt stop running

Applications:

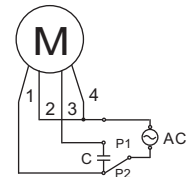
Electric equipment, HVAC System, CATV System



Mechanical Dimensions



Wire connecting



wire	24V	110V	220V
1	Red	Yellow	Black
2	Black	Red	Yellow
3	Yellow	Black	Red
4	Black	Red	Yellow

- Above are basic wire colors, customization also welcome.

Electrical Specification

Specification

ITEM	DATA		
Rated Voltage (V)	24	110	220
Rated Frequency (Hz)	50/60		
Input Power (W)	<20		
Input Current (A)	<0.9	<0.2	<0.1
Output Power (W)	5-6		
Noise (db)	<45		
Rotate direction	CW / CCW / Bi-directional		

Safety

ITEM	DATA
Insulation resistance	DC500V 100M Ohms
Insulation str.	AC1500V 50Hz/min(220V motor)
Insulation class	E(105 C)/B(130 C)
Environment	Temp:-10 C~+40 C / Humidity:<85%
Protection	Impedance
Certification	RoHS CE CCC

- If need running under low temp between(-40 C~-15 C) please notify us.

Speed&Torque

Speed (RPM)	Working style	15	20	25	30	50	60	99
Torque (kgf.cm / lb-in)	S1 continuous	26 / 22.6	20 / 17.4	16 / 13.9	13 / 11.3	8 / 7	6.5 / 5.65	4 / 3.5
	S2 15minutes	36 / 31.3	28 / 24.4	22 / 19.1	18 / 15.7	11 / 9.6	9 / 7.8	5.6 / 4.9
	S2 5 minutes	42 / 36.5	32 / 27.8	25 / 21.8	13 / 11.3	21 / 18.3	10 / 8.7	6.5 / 5.7

- Above datas are from motors under 50Hz. If under 60Hz, SpeedX1.2, Torque /1.2
- Other speed and torque needed, please contact our sales department