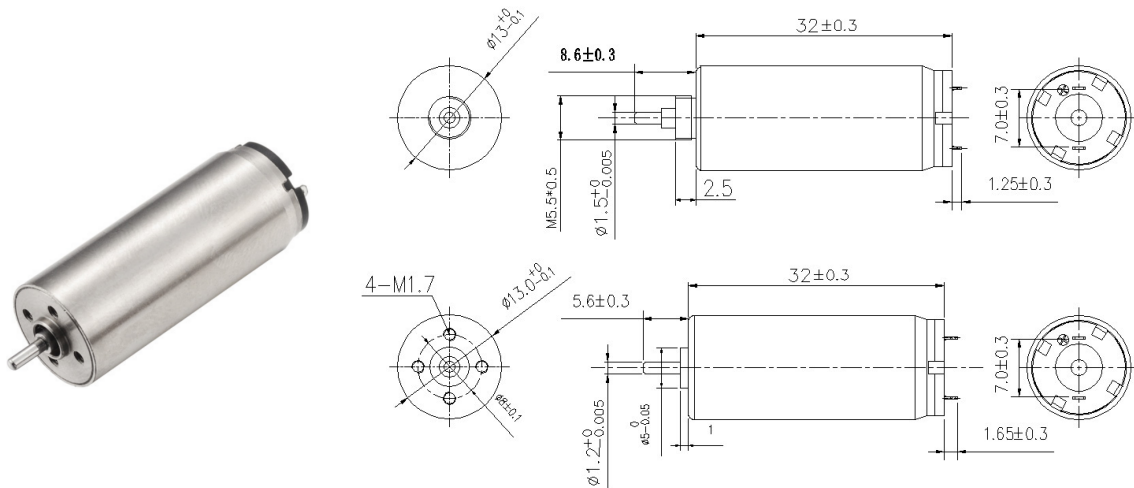




Coreless Brush DC Motor

LS-1332R



Typical Applications: Dental machine. Eyebrow Tattoo Machine. Nail drill

电机参数 (Motor data)		15A	29A	37A	24A	17A
额定电压下数值 (Values at nominal voltage)						
1 额定电压 (Nominal voltage)	V	3.7	3.7	3.8	5	12
2 空载转速 (No load speed)	rpm	14460	12000	16940	10000	9040
3 空载电流 (No load current)	mA	80	100	100	30	20
4 额定转速 (Nominal speed)	rpm	12800	10770	15400	8730	7910
5 额定转矩 (最大连续转矩) (Nominal torque)	mNm	1.5	1.5	1.5	1.5	1.5
6 额定电流 (最大连续电流) (Nominal current)	A	0.69	0.64	0.82	0.35	0.15
7 堵转转矩 (Stall torque)	mNm	13.7	14.6	16.4	11.8	12
8 堵转电流 (Stall current)	A	5.69	5.1	7.76	2.5	1
9 最大效率 (Max efficiency)	%	79	72	78	81	72
电机常数 (Motor constant)						
10 相间电阻 (Terminal resistance)	Ω	0.65	0.73	0.49	2	12.42
11 转矩常数 (Torque constant)	mNm/A	2.39	2.89	2.10	4.68	12.42
12 速度常数 (Speed constant)	rpm/V	3908	3243	4458	2000	753

其他特性参数 Other characteristic parameters

- 13 环境温度范围 (Ambient temperature) $-10-40^{\circ}\text{C}$
- 14 绕组最高允许温度 (Max permissible winding temperature) 80°C
- 15 最高允许转速 (Max permissible speed) 25000rpm
- 16 电极磁极对数 (Number of the pole pairs) 1
- 17 换向器片数 (Number of the commutator segments) 5
- 18 电机质量 (Weight) 20.9g

15A 电机曲线图 motor curve

