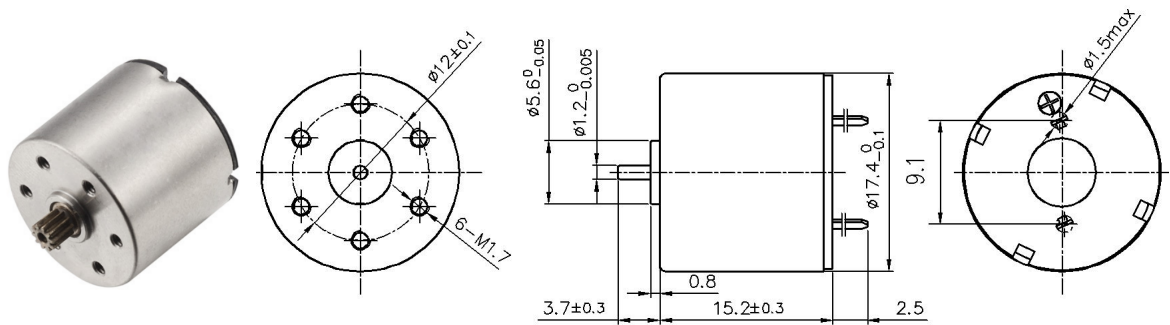




Coreless Brush DC Motor

LS-1715R



Typical Applications: RC servo. Robotic arm

电机参数 (Motor data)		02A	01A	09A	04A
额定电压下数值 (Values at nominal voltage)					
1 额定电压 (Nominal voltage)	V	5	7.4	7.4	8
2 空载转速 (No load speed)	rpm	21530	27760	28600	21880
3 空载电流 (No load current)	mA	65	90	75	60
4 额定转速 (Nominal speed)	rpm	17000	22730	24300	17140
5 额定转矩(最大连续转矩) (Nominal torque)	mNm	2	2	2	2
6 额定电流(最大连续电流) (Nominal current)	A	1	0.9	0.9	0.63
7 堵转转矩 (Stall torque)	mNm	9.5	11.0	13.46	9.13
8 堵转电流 (Stall current)	A	4.3	4.4	5.5	2.7
9 最大效率 (Max efficiency)	%	79	72	78	73
电机常数 (Motor constant)					
10 相间电阻 (Terminal resistance)	Ω	1.15	1.68	1.34	2.99
11 转矩常数 (Torque constant)	mNm/A	2.17	2.49	2.42	3.42
12 速度常数 (Speed constant)	rpm/V	4306	3751	3865	2735

其他特性参数 Other characteristic parameters

- 13 环境温度范围 (Ambient temperature) -10~40°C
- 14 绕组最高允许温度 (Max permissible winding temperature) 80°C
- 15 最高允许转速 (Max permissible speed) 30000rpm
- 16 电极磁极对数 (Number of the pole pairs) 1
- 17 换向器片数 (Number of the commutator segments) 5
- 18 电机质量 (Weight) 16.3g

01A电机曲线图 motor curve

