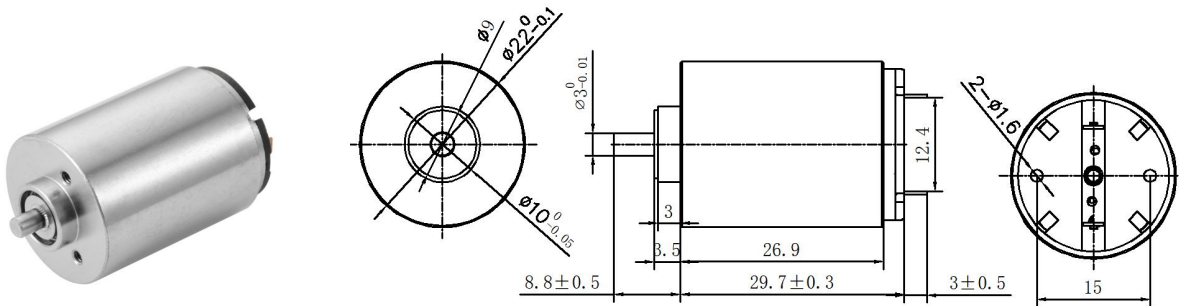




Coreless Graphite Brush Motor

LS-2230RC



Typical Applications: Gas gun. Nail gun

电机参数 (Motor data)		01A	02A	03A		
额定电压下数值 (Values at nominal voltage)						
1 额定电压 (Nominal voltage)	V	6	5	12		
2 空载转速 (No load speed)	rpm	12630	6550	14580		
3 空载电流 (No load current)	mA	130	90	95		
4 额定转速 (Nominal speed)	rpm	10520	5500	13630		
5 额定转矩 (最大连续转矩) (Nominal torque)	mNm	5.28	5.5	5.6		
6 额定电流 (最大连续电流) (Nominal current)	A	1.27	0.83	0.8		
7 堵转转矩 (Stall torque)	mNm	31.4	33.7	85.8		
8 堵转电流 (Stall current)	A	7.1	4.72	11.01		
9 最大效率 (Max efficiency)	%	77	77	83		
电机常数 (Motor constant)						
10 相间电阻 (Terminal resistance)	Ω	0.85	1.06	1.09		
11 转矩常数 (Torque constant)	mNm/A	4.45	7.14	7.70		
12 速度常数 (Speed constant)	rpm/V	2105	1310	1215		

其他特性参数 Other characteristic parameters

- 13 环境温度范围 (Ambient temperature) -10~40°C
- 14 绕组最高允许温度 (Max permissible winding temperature) 80°C
- 15 最高允许转速 (Max permissible speed) 18000rpm
- 16 电极磁极对数 (Number of the pole pairs) 1
- 17 换向器片数 (Number of the commutator segments) 7
- 18 电机质量 (Weight) 58g

01A电机曲线图 motor curve

