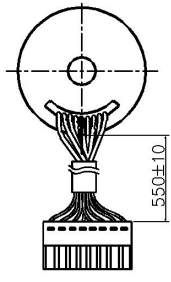
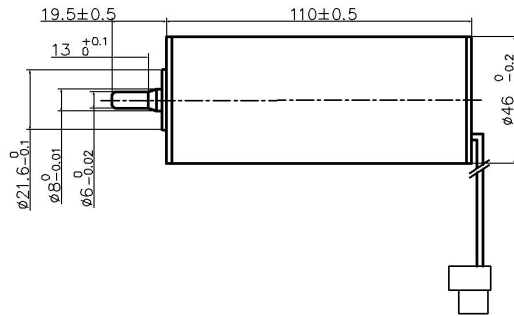
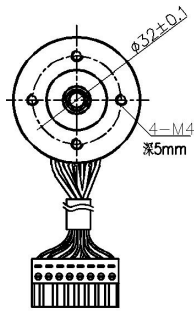




Coreless Brushless DC Motor

LS-46110RB



PIN1—PIN 8

Typical Applications: Robot

电机参数 (Motor data)		01A				
额定电压下数值 (Values at nominal voltage)						
1 额定电压 (Nominal voltage)	V	24				
2 空载转速 (No load speed)	rpm	9000				
3 空载电流 (No load current)	mA	900				
4 额定转速 (Nominal speed)	rpm	8592				
5 额定转矩(最大连续转矩) (Nominal torque)	mNm	250				
6 额定电流(最大连续电流) (Nominal current)	A	10.6				
7 堵转转矩 (Stall torque)	mNm	5533				
8 堵转电流 (Stall current)	A	218.18				
9 最大效率 (Max efficiency)	%	88				
电机常数 (Motor constant)						
10 相间电阻 (Terminal resistance)	Ω	0.11				
11 转矩常数 (Torque constant)	mNm/A	24.96				
12 速度常数 (Speed constant)	rpm/V	375				

其他特性参数 Other characteristic parameters

13 环境温度范围 (Ambient temperature)	-10~40℃
14 绕组最高允许温度 (Max permissible winding temperature)	120℃
15 最高允许转速 (Max permissible speed)	20000rpm
16 电极磁极对数 (Number of the pole pairs)	1
17 相数 (Number of Phases)	3
18 电机质量 (Weight)	955g

端子定义 (terminals):

- PIN1-PIN3 电机绕组 (motor winding) 1-3
- PIN4 GND
- PIN5-PIN7 传感器 (sensors) 1-3
- PIN8 VHall 2-18VDC

01A电机曲线图 motor curve

