



Micro Blower

LS-7060 Micro Blower

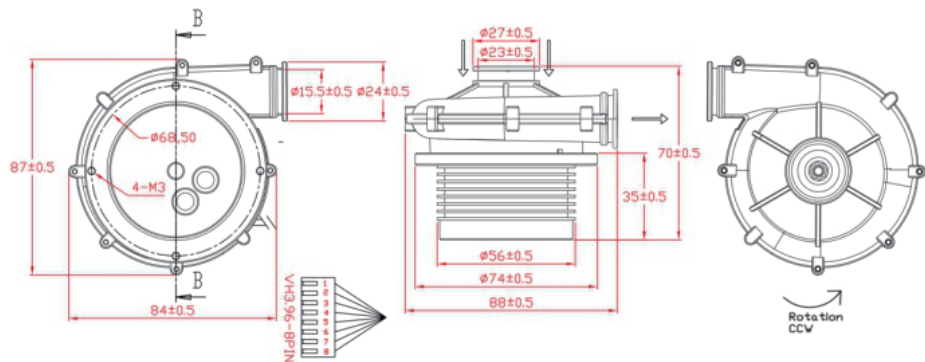
PA66+30%GF plastic impeller and casing (UL and ISO10993)
 All air-contacting parts are respiratory-physiologically harmless

Power supply :>24V-10A ,
 >12V-15A
 48VDC and 220VAC are available



Dimensions 88*88*70mm

| No. | Wires | Code |
|-----|----------|------|
| 1 | 白 White | U |
| 2 | 蓝 Blue | V |
| 3 | 黄 Yellow | W |
| 4 | 黑 Black | GND |
| 5 | 灰 Gray | Ha |
| 6 | 绿 Green | Hb |
| 7 | 橙 Orange | Hc |
| 8 | 红 Red | +5V |



Micro Blower Main Parameters

| Model+Normal Voltage | Flow | Pressure | Current | speed | Voltage range | Power | Resistance | Inductance | Rotor inertia |
|----------------------|-------|----------|---------|-------|---------------|-------|------------|------------|------------------|
| | l/min | kpa | A | rpm | V | P | mΩ | uH | gcm ² |
| LS7060-12V | 520 | 12 | 11.5 | 35000 | 7.8 - 14.8 | 140 | 80 | 28-30 | 8.55 |
| LS7060-24V | 620 | 16 | 8.5 | 40850 | 7.8 - 30 | 190 | 160 | 71-78 | 8.55 |

| Model+Normal Voltage | Noise | MTBF | Using Temp | Weight | Hall Angle | Pole pair | Connection | IP Class | Controller version |
|----------------------|-------|-------|------------|--------|------------|-----------|------------|----------|--------------------|
| | dB | Hour | °C | g | | | | | |
| LS7060-12V | 48 | 22000 | -20 TO 85 | 300 | 120 | 4P=2 | Y | IP54 | LS7652-12V-250W |
| LS7060-24V | | | | | | | | | LS7652-24V-250W |

Flow & Pressure Curves

