

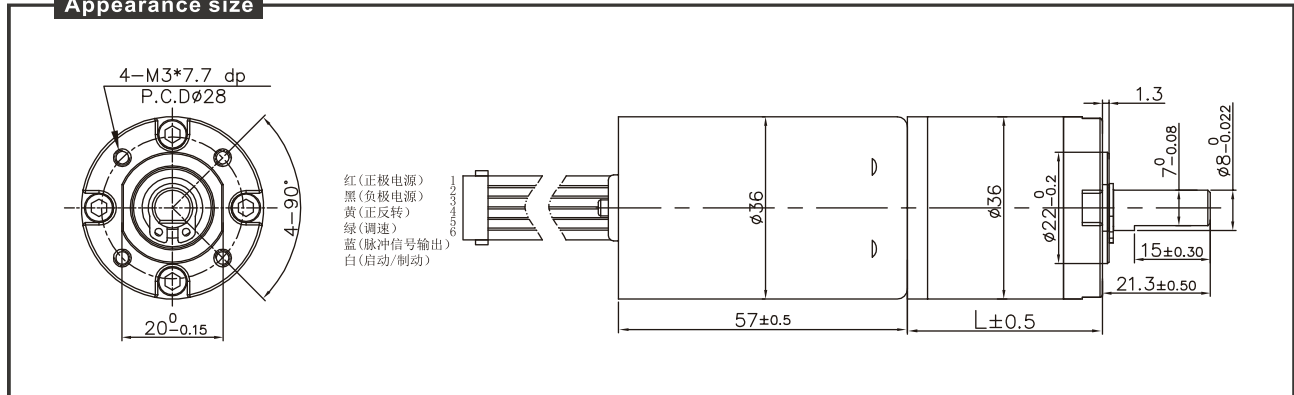


# DC Planetary Gear Motor

## PG36BL36



### Appearance size



Number of stages	1	2	3	4	5
Reduction ratio	3.7,5.2	13.7,19.2,26.9	50.9,71.2,99.5,139	188,264,369,516,721	669,977,1367,1911,2672,3736
Gearbox length "L" mm	25.1	32.3	38.5	44.7	50.9
Running torque	20.0kgf · cm	50.0kgf · cm	100.0kgf · cm	100.0kgf · cm	100.0kgf · cm
Gear breaking torque	60.0kgf · cm	150.0kgf · cm	200.0kgf · cm	200.0kgf · cm	200.0kgf · cm
Gearing efficiency	90%	81%	73%	65%	59%

### Motor data

Motor type	Rated volt (V)	No load speed (rpm)	No load current (mA)	Rated speed (rpm)	Rated current (mA)	Rated torque (gf.cm)	Rated output (W)	Stall torque (gf.cm)	Stall current (A)
BL36126000	12	6000	≤460	5160	≤1580	257	13.6	1775	≤1.8
BL36245000	12	5000	≤220	4100	≤1086	395	16.4	2317	≤5.34
BL36246000	24	6000	≤220	5100	≤1204	385	20.1	2737	≤7.1

### 电机使用示意图

